

Warning! To avoid switch failure determine the actual load of the switch circuit and take steps to protect the switch from voltage spikes, current inrush and line/load capacitance using the following recommendations. If the installation instructions are not followed carefully, the switch may not work properly or fulfill its failsafe function, or it may fail prematurely.

1. Surges from coils, motors, contactors, solenoids and tungsten filaments must be considered.
2. Transient protection, such as back-to-back zener diodes (Transorb) or an RC network, is recommended for such loads to ensure that maximum ratings of the switch are not exceeded.
3. Line capacitance and load capacitance must be considered. An in-line resistor can be added to limit the inrush current.
4. The resistor can only be added in series with the last red wire just before the load.
5. The voltage drop and the power rating of the resistor must be considered.

$$\text{Voltage drop} = I \bullet R$$

$$\text{Watts} = I^2 \bullet R$$

(I = maximum continuous current of the load)

Dimensions

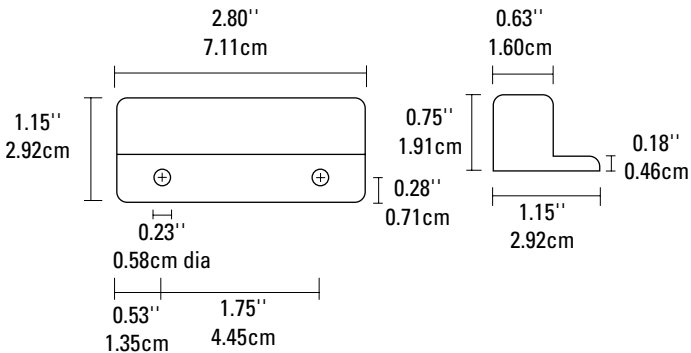
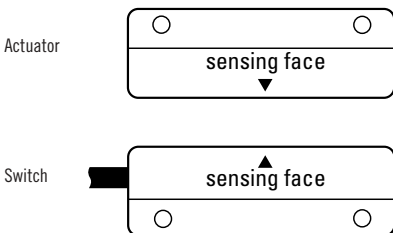
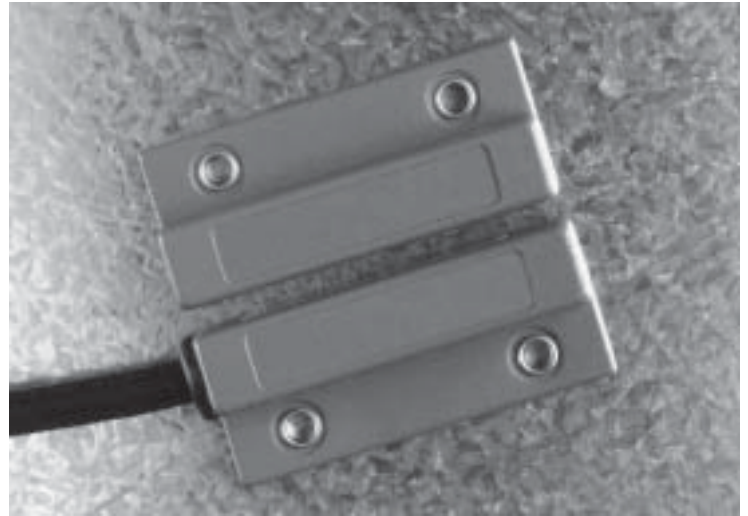


Figure 1



GuardSwitch™ Series 200 Non-Contact Safety Interlock Switch

251-F7 251-F7Z-06K
 251-F7Z-12K
 251-_____



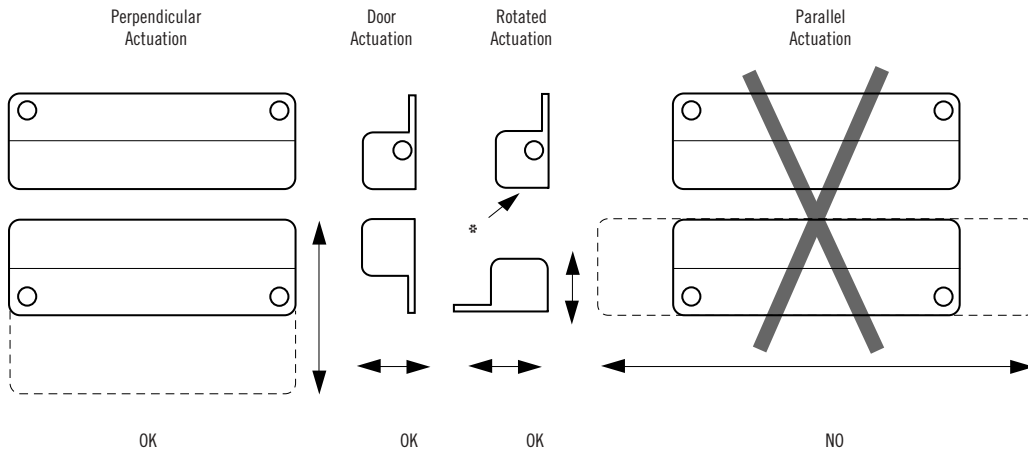
Installation

Use non-removable screws, bolts, or nuts to mount the switch and actuator. Do not over-torque mounting hardware.

1. Do not wire the switch until it is mounted and tested. (See Testing/Wiring)
2. Select a mounting location where the switch and actuator can be installed with their labels reading in the same direction. (See Figure 1.)
3. Mount the switch on the stationary frame of the machine and the actuator on the moveable guard, door or gate.
4. For best protection against operator defeat, mount with non-removable screws, bolts, or nuts. (See accessories)
5. The switch and actuator must be mounted so that the actuator moves in one of the approved directions. (See Mounting Configuration, Figure 2)
6. Parallel actuation is NOT recommended and may cause switch failure. An on/off/on signal may result when the magnet passes by the switch rather than coming to rest in proximity to it. (See Mounting Configuration, Figure 2)
7. When mounting on a hinged gate or door, mount the switch and actuator at least 6" away from the hinges so a more parallel movement is achieved.
8. The actuator can be mounted at a 90° rotation.
9. Keep the switch and actuator within the listed sense range (See Ordering/Electrical Specifications).
10. Mounting on a ferrous (steel) material will reduce the sense range a minimum of 50%. A 1/4" nonferrous (plastic or aluminum) spacer installed under the actuator and switch will restore most of the lost gap.
11. When mounting a metal switch to an ungrounded machine, connect the ground lead to one of the switch mounting screws.

Mounting Configurations

Figure 2



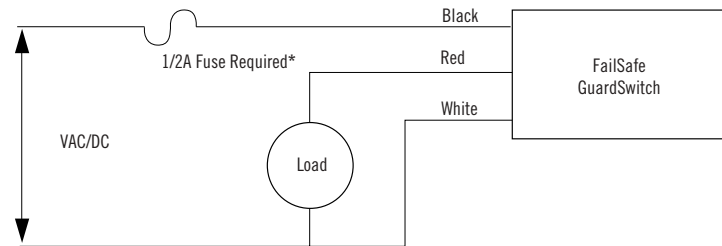
* Actuation surface

Three configurations are appropriate for interlock applications. The parallel actuation can result in on/off/on signal if the actuator passes by the switch rather than coming to rest in proximity to it. This is NOT a recommended configuration for interlock applications.

Wiring for one FailSafe GuardSwitch™

Add a 1/2 amp *fast-acting* fuse* in series to protect the switch from premature failure caused by inrush-currents, tampering, or excessive vibration.

Figure 3

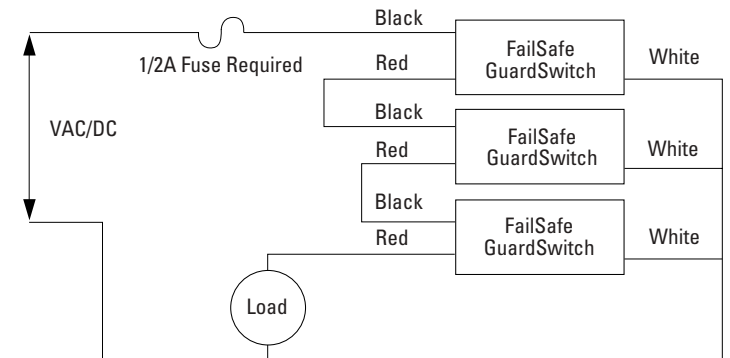


* Use fast-acting Littlefuse 216, fast-acting Microfuse or fast-acting Pico II fuse up to 1/2 Amp.

Wiring for two to ten FailSafe GuardSwitches™ in series

Add a 1/2 amp *fast-acting* fuse in series to protect the switch from premature failure caused by inrush-currents, tampering, or excessive vibration.

Figure 4



* Use fast-acting Littlefuse 216, fast-acting Microfuse or fast-acting Pico II fuse up to 1/2 Amp.

Testing

After mounting the switch and actuator, test the switch for proper operation. Test with circuit disconnected from source and load. For multiple switches in series, test one switch at a time with all other guard doors closed. Then:

1. Hook the black and white leads of the switch to an Ohmmeter. Move the gate or door open and closed several times slowly. At all times the meter should read O.L. or “open.”
2. Hook the Ohmmeter to the black and red leads of the switch. Move the door or gate open and closed. The meters should read O.L. when the actuator is away and it should read less than 1 Ohm when the actuator is in range.
3. Hook the Ohmmeter to the white and red leads of the switch. Move the door or gate open and closed. The meter should read 11–14 ohms (F6 model) and 500-100 ohms (F7 models) when the actuator is away and it should read O.L. when the actuator is in range.

Wiring

1. After the switch and actuator have been mounted and tested, wire the FailSafe GuardSwitch™ as shown in Figure 3.
2. For wiring 2 to 10 FailSafe GuardSwitches™ in series, see Figure 4. (Do not exceed 10 switches in a series).
3. Failure to install in-line fuse voids warranty.

Troubleshooting

If the in-line fuse blows or the GuardSwitch™ remains open:

1. Check the application for premature failure caused by inrush-currents, tampering, excessive vibration and misalignment.
2. Disconnect all three wires of GuardSwitch™ and test according to testing instructions, steps 1-3.
3. If the GuardSwitch™ fails any of the three tests, it must be replaced.
4. Replace the in-line fuse if blown.

General Specifications

Enclosure	Polyurethane Enamel-Coated Aluminum
Temperature Range	-40°F to 150°F (-40°C to 65°C)
Environmental	Hermetically Sealed Contact Switch Encapsulated in Polyurethane
NEMA Rating	1, 2, 3, 4, 4X, 5, 6, 12
Protection Class	IP 67
Response Time	5 msec
Life Cycles	100,000 Under Full Load; Up to 200,000,000 Under Dry Circuit
Lead Types/O.D.	SJTOW-A (K) 18/3 AWG/0.33" (0.83cm)
UL/CSA	All Models

Note: The 251 & 253-F7 has a patented “watch-dog” circuit which, when switch failure occurs, the fused watch-dog circuit will draw 4 Amps. The voltage supply must have a current capacity of 4 Amps. This results in an open, fail-safe condition.



Accessories

PART NUMBER	TAMPER PROOF SCREWS & SCREWDRIVER
1954	#8 x 1-1/2"L Tampruf Roundhead Screw
1955	Tampruf® Screwdriver
1956	Tampruf® 1/4" Drive Bit for #6 and #8 Screws

Ordering/Electrical Specifications

PART NUMBER ¹	CONTACT ² CONFIG.	LOAD RATING MAXIMUM	SWITCH CURRENT MAXIMUM AC/DC	VOLTAGE RANGE AC/DC	CONTACT RESISTANCE	SENSE RANGE ³ NOMINAL	BREAK RANGE NOMINAL	BREAK AT FAILURE MAX.	LEAD LENGTH NOMINAL
251-F7Z-06K	N.O.	100VA	0.83A	100-120V AC	0.5 Ohms	1.0"(2.5cm)	1.8" (4.5cm)	2.7" (6.8cm)	6'(1.8m)
251-F7Z-12K	N.O.	100VA	0.83A	100-120V AC	0.5 Ohms	1.0" (2.5cm)	1.8" (4.5cm)	2.7" (6.8cm)	12'(3.6m)
150-Z	Actuator Only Included with all switches unless otherwise noted.								

Warning— Each electrical rating is an individual maximum and cannot be exceeded!

¹ The part number 253 is the same as 251 in all respects, except the cable exits 251 left and 253 right.

² Configuration with actuator away from the switch

³ Proximity of ferrous materials usually reduces sense range — typically by 50%. The shape and type of material cause a wide diversity of effects. Testing is required to determine actual sense range for specific applications.



www.ge-security.com/industrial

12345 SW Leveton Drive
Tualatin, OR 97062
Phone: 800-247-9447
Fax: 503-691-7563